

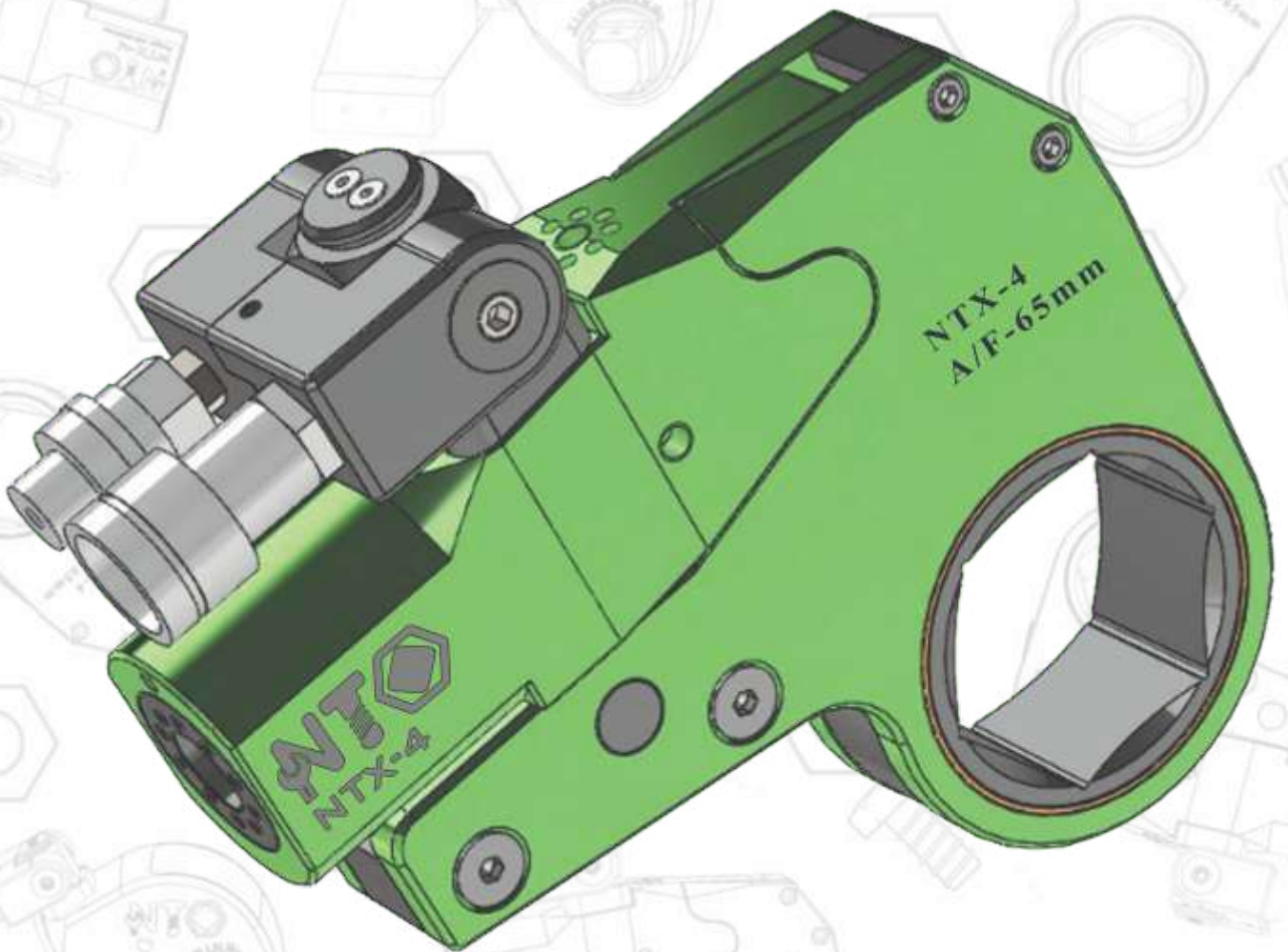
# NIRVI TOOLS BOLTING & SOLUTIONS



**YOU SIZE IT,  
WE TORQUE IT**







**NIRVI TOOLS**  
**BOLTING & SOLUTIONS**



**NIRVI TOOLS** carries the worlds most comprehensive line of Industrial Bolting Tools. Whether you need manual or hydraulic, air driven or electric - We are your one stop shop for all your Bolting needs.

**NIRVI TOOLS** for years has been recognised as a significant world player in the manufacture and supply of quality Hydraulic Torque Wrenches, Pumps and Accessories for the power, Mining, Refinery, Steel, Petrochemical and other Heavy Industries.

## **NIRVI TOOLS BOLTING & SOLUTIONS**

**Office Address :**

507, 5th Floor, Bldg. No. 2, Pada No. 04, N. G. Hill View Co. Op. Hsg. Soc. Ltd,  
Lokmanya Nagar, Thane (West), Maharashtra - 400606.

**Factory Address :**

Plot No. 268, Near Thakur Engg Works, Opp. Cosmos Hills, Pokharan Road No. 1,  
Upvan, Thane (West) Maharashtra - 400606.

**Phone No : +91 85913 42262**

**Email : [info.nirvitoools@gmail.com](mailto:info.nirvitoools@gmail.com) / [siddhesh.warang@nirvitoools.in](mailto:siddhesh.warang@nirvitoools.in)**

**GST NO.: 27EIWPS4340R1Z0**



# INDEX

- 1) Introduction ..... Page 5
- 2) NTS - Series Square Drive Torque Wreches ..... Page 6-7
- 3) NTX - Series Direct Hex Type ..... Page 8
- 4) NTX - Series Direct Hex Type Torque Wreches ..... Page 9
- 5) Link Selection ..... Page 10
- 6) Accessories for Hydraulic Torque Wrenc ..... Page 11
- 7) Hexagon Reducer Bushes ..... Page 12
- 8) Metric Hexagon Reducer Bushes ..... Page 13
- 9) Electric Hydraulic Pump ..... Page 14







## INTRODUCTION

We provide controlled bolting of all types of industry wind power, fertilizers, mining and rolling equipment, refinery and natural gas transmission. To ensure that correct bolt loads are achieved with perfect leak-free connections we incorporate well experienced and qualified service engineers. Our veteran crew ensure the safety and competency as of the principal magnitude bolt torqueing.

A largely manufacturing based firm that we are, we constantly gear towards engineering the finest products available.

**NIRVI TOOLS** products are calibrated and certified at an in-house calibration facility that ensures torque testing the final products. Our R&D experts provide constant input with which we design some of the extensively used tools in the service industry. The repair team deserves praise when it comes to tackling maintenance issues making it easy for the customer. **NIRVI TOOLS** products are known for the superior quality, durability, robustness and flawless finish - "We bring Perfection and Innovation to the next level."

## **INDUSTRY SECTORS THAT WE SERVE :**

- Petrochemicals and Refineries
- Oil Exploration
- Power Stations
- Wind Power
- Chemical Industries
- Mines & more

## **NIRVI TOOLS Bolting Services offer :**

- 1) Flange management system
- 2) Pre-Commissioning and Start up Service
- 3) Asset Management
- 4) Onsite & Offsite Bolting Services
- 5) Cold Cutting

## OUR AIM

We are glad to introduce Ourselves '**NIRVI TOOLS BOLTING SOLUTIONS**' as a onsite torqueing & tensioning in every corner of India

## OUR STRENGTH

We have largest stock of bolt torqueing equipments and accessories in the use with sockets. The cumbers some low clearance application has a solutions in form of direct fit ratchet hex heads this can also be used where only flogging wrench would fit. The torqueing capacity available with us is up to 56,000Nm. The bold loading in tensioning is carried out efficiently and safety to achieve the correct bolt loads and not just being applied. Apart from accuracy and safety we also believe im the variations in our service. Nirvi Tools has a both imperial and matric sizes with large variations ranging from 3/47 to 4. 1/2" bolt sizes.

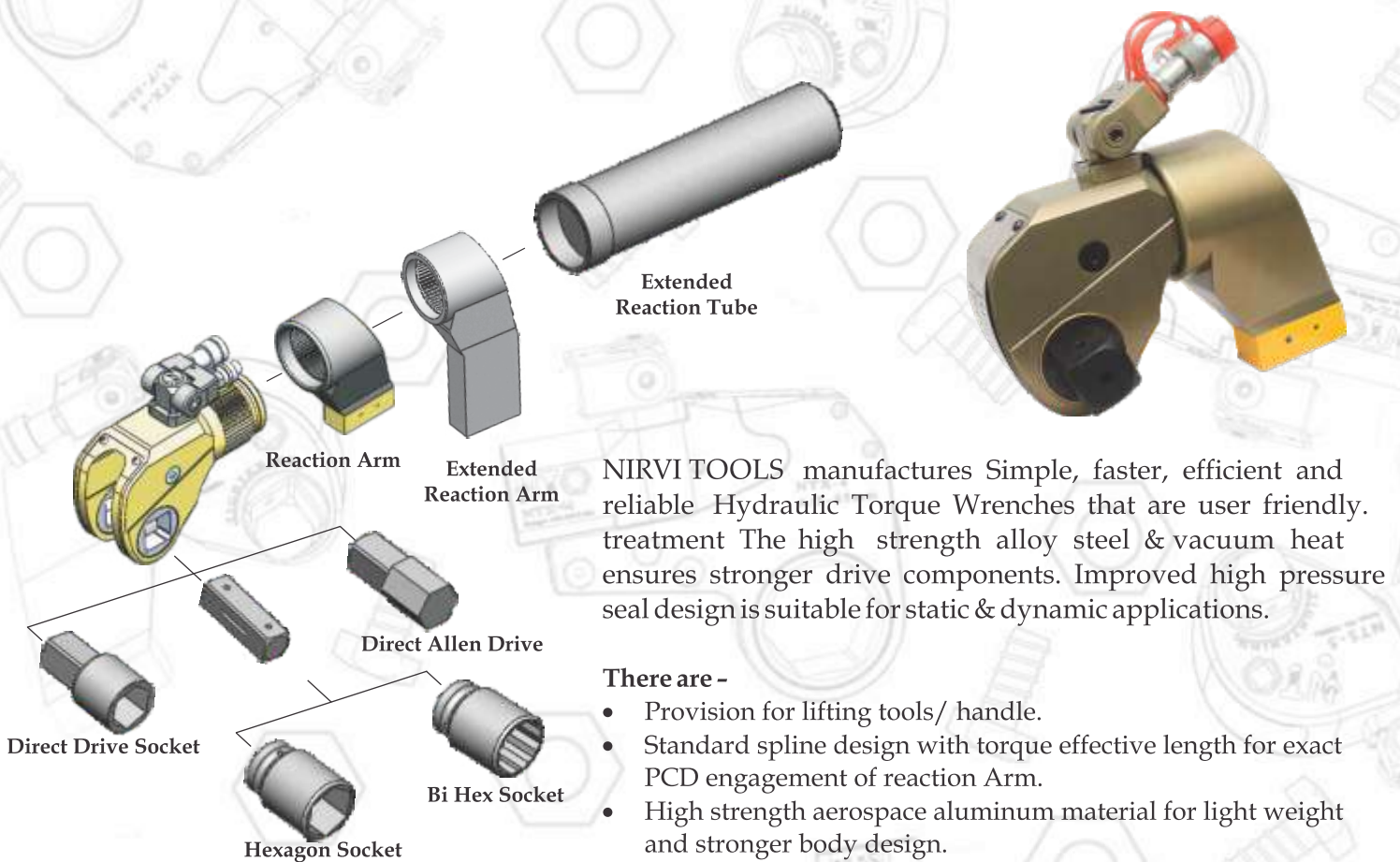
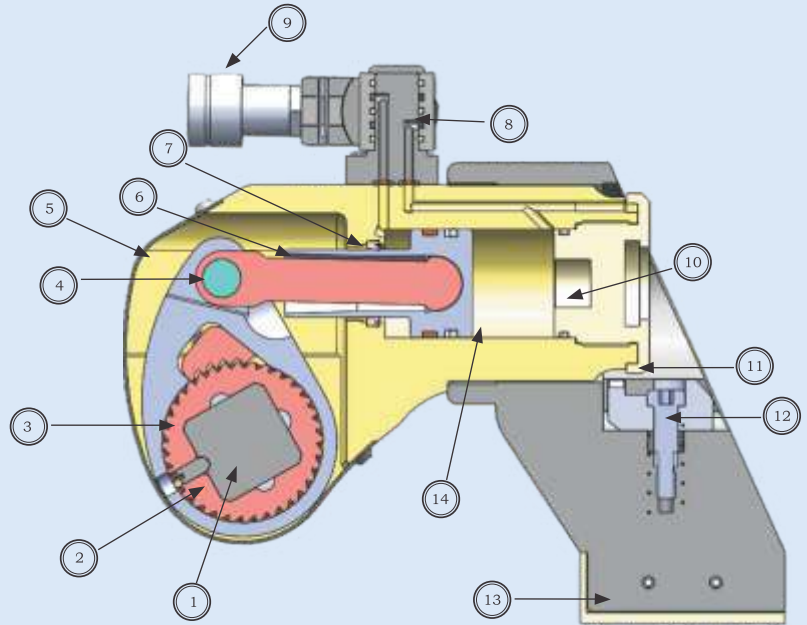


**NTS** SERIES SQUARE DRIVE TORQUE WRENCHES

Type yo

**ANNOTATION:**

- 1) Quick push through drive for ease of loosening and tightening
- 2) Fine Ratchet and Pawl for better engagement
- 3) Multi tooth drive segment ensures upto 32°
- 4) Balance drive Rod - Side load & free piston movement
- 5) Laser engraved torque chart (Nm & ft lbs)
- 6) Hard chrome plating of piston rod which ensures better wear resistance of rod seal.
- 7) Self lubricating low Nickel Bronze drive bush to protect body from wear
- 8) 360°x180° swivel for better degree of movement
- 9) Leak proof quick connect couplers for easy & safe operation
- 10) End-cap design for sufficient back pressure for smooth piston forward force
- 11) Rigid reaction suitable for heavy load application
- 12) Simple design reaction arm release button for ease of operations
- 13) Alloy Steel reaction boot (Available in multi-color option)
- 14) Cold worked cylinder bore for longer life and super finish for long working conditions.



NIRVI TOOLS manufactures Simple, faster, efficient and reliable Hydraulic Torque Wrenches that are user friendly. treatment The high strength alloy steel & vacuum heat ensures stronger drive components. Improved high pressure seal design is suitable for static & dynamic applications.

**There are -**

- Provision for lifting tools/ handle.
- Standard spline design with torque effective length for exact PCD engagement of reaction Arm.
- High strength aerospace aluminum material for light weight and stronger body design.
- Scratch proof hard anodized body and reaction arm.

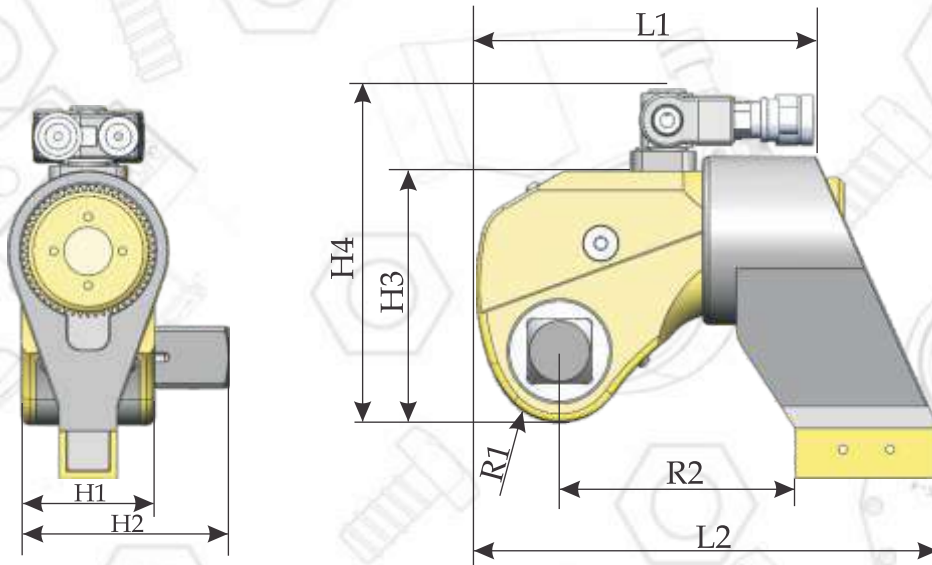




# NTS SERIES SQUARE DRIVE TORQUE WRENCHES

## TECHNICAL DATA

TECHNICAL DATA	Units	NTS-07	NTS-1	NTS-3	NTS-5	NTS-8	NTS-10	NTS-20	NTS-25	NTS-35	NTS-50
Square Drive	Inch	3/4	3/4	1	1. 1/2	1. 1/2	1. 1/2	2. 1/2	2. 1/2	2. 1/2	2. 1/2
Min. Torque	Nm	108	180	450	750	1050	1533	2600	3460	4860	6925
Max. Torque	Nm	1130	1840	4520	7530	10800	15330	26675	34750	48675	69247
Min. Torque	Ft. Lbs.	80	135	331	553	775	1131	1917	2551	3611	5107
Max. Torque	Ft. Lbs.	830	1357	3333	5553	7965	11307	19675	25630	36113	51073
Tool Weight	Kg.	1.9	2.4	5.0	9.7	10.7	14.8	26	34.7	50	64
Tool Weight	Lbs.	4.0	2.5	10.9	20.8	23.8	32.5	57.4	74.7	112	144



## DIMENSIONAL DATA

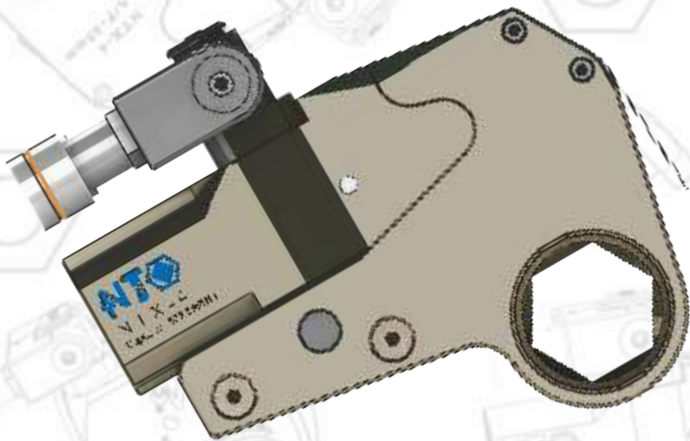
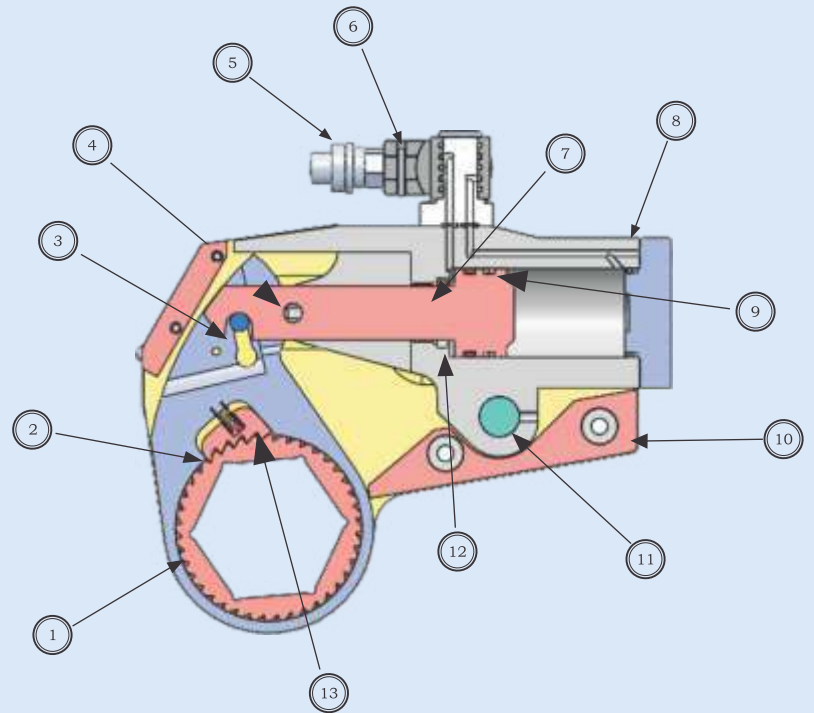
DIMENSIONAL DATA	Units	NTS-07	NTS-1	NTS-3	NTS-5	NTS-8	NTS-10	NTS-20	NTS-25	NTS-35	NTS-50
Body Length (L1)	(mm)	111	145.5	179	213	223	245	306	322	372	375
	(Inch)	4.37	5.72	7.04	8.38	8.77	9.64	12.04	12.67	14.64	14.76
Overall Length (L2)	(mm)	140	172	227	275.5	293	318	384	402	466	529
	(Inch)	5.51	6.77	8.94	10.85	11.54	12.52	15.12	15.83	18.35	20.83
Tool Width (H1)	(mm)	43	53	70.5	83.5	91	103	122.5	121	138	163
	(Inch)	1.69	2.09	2.78	3.29	3.58	4.06	4.82	4.76	5.43	6.42
Overall Width (H2)	(mm)	66	71	95	129.5	133	143	184	201	217	227
	(Inch)	2.60	2.80	3.74	5.10	5.24	5.63	7.24	7.91	8.54	8.94
Tool Height (H3)	(mm)	76	96.5	116	148	168	183	221	247	283	292
	(Inch)	2.99	3.80	4.57	5.83	6.61	7.20	8.70	9.72	11.14	11.50
Overall Height (H4)	(mm)	109	137	175	200	218	233	271	298	333	327
	(Inch)	4.29	5.39	6.89	7.87	8.58	9.17	10.67	11.73	13.11	12.87
Tool Radius Around Bolt (R1)	(mm)	21	26.3	34.5	39	47	51	59	66	77	78.8
	(Inch)	0.82	1.03	1.36	1.53	1.85	2	2.32	2.59	3.03	3.1
Reaction Reach (R2)	(mm)	68	85	111.5	140	153	154	186	199	241	295
	(Inch)	2.67	3.35	4.39	5.51	6.02	6.06	7.32	7.83	9.48	11.6



**NTX** - SERIES DIRECT HEX TYPE

**ANNOTATION:**

- 1) Self-lubricating low Nickel Bronze for drive bush to protect body from wear.
- 2) Fine Ratchet & Pawl for better engagement.
- 3) Auto engagement of rod in first stroke
- 4) Slider prevents wear of piston and drive plate.
- 5) Leak proof quick connecting coupler.
- 6) 360°x180° swivel for better degree of movement.
- 7) Round shaped simple cylinder design
- 8) Hard chrome plating of piston rod for wear resistance
- 9) High quality German seals for high pressure design
- 10) Torsion free reaction pad.
- 11) Balanced load on side plate due to alignment pin
- 12) Cold worked cylinder bore for longer life and super-finish for long working condition
- 13) Never-Lock drive pawl



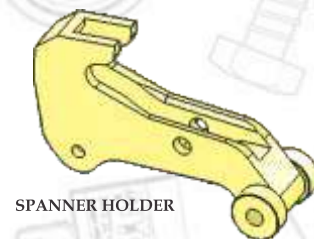
**NIRVI TOOLS NTS - Series Direct Hex drive Hydraulic Torque Wrenches** are designed for extreme low spaces where normal tools cannot reach. The light weight & compact hydraulic cylinder is made of special Aircraft grade Aluminium Alloy and the internal spares are made of high Nickel Alloy Steel. There are 5 models in NTX series ranging from 230-45000 Nm. All models have small nose radius which allows the tool to fit in such areas where space constraint is observed.

**A**ccesories

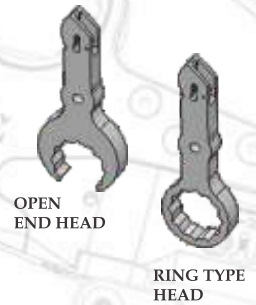
NTX CYLINDER



RATCHET LINK

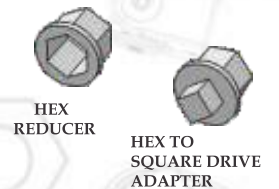


SPANNER HOLDER



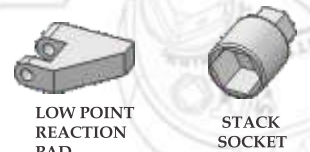
OPEN END HEAD

RING TYPE HEAD



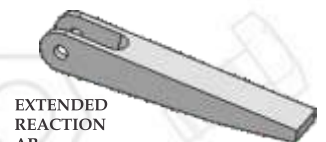
HEX REDUCER

HEX TO SQUARE DRIVE ADAPTER



LOW POINT REACTION PAD

STACK SOCKET



EXTENDED REACTION AR

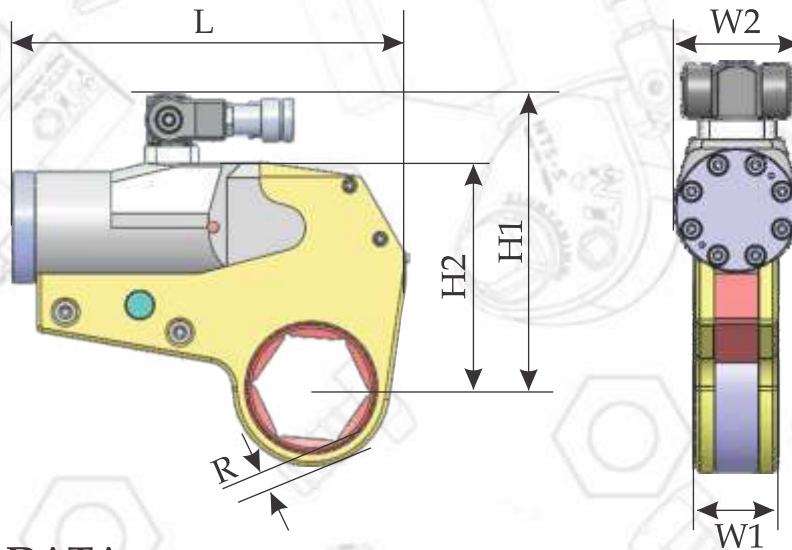




# NTX - SERIES DIRECT HEX TYPE TORQUE WRENCHES

## TECHNICAL DATA

TECHNICAL DATA	Units	NTX - 2		NTX - 4		NTX - 8		NTX - 16	NTX - 32	
Min. Torque	Nm	230	240	575	640	1050	1160	1850	4100	4450
Max. Torque	Nm	2350	2420	5865	6480	10950	11780	18525	41890	44600
Min. Torque	Ft. Lbs.	180	176	400	474	777	860	1370	3038	3297
Max. Torque	Ft. Lbs.	1850	1784	4500	4800	8111	8726	13722	31030	33038
Across Flat	mm	19 - 55	55 - 60	34 - 65	70 - 80	41 - 95	100 - 105	50 - 117	110 - 155	160 - 175
	Inch	3/4 - 2.3/16	2.3/16 - 2.3/8	1.5/16 - 2.9/16	2.3/4 - 3.1/8	1.5/8 - 3.3/4	3.7/8 - 4.1/8	2 - 4.1/2	4.1/4 - 6.1/8	6.1/8 - 6.7/8
Weight	Kg.	1.1	1.1	2.2	2.2	3.4	3.4	5.6	11.5	11.5
Drive Unit	Lbs.	2.2	2.2	4.4	4.4	7.2	7.2	12.1	25.3	25.3
Weight	Kg.	1.7	1.8	4.5	4.8	8.2	8.5	11.8	28	32
Ratchet Unit	Lbs.	3.5	3.7	9.6	10.1	17.6	18.4	25.5	63.8	66



## DIMENSIONAL DATA

DIMENSIONAL DETAILS	Units	NTX - 2		NTX - 4		NTX - 8		NTX - 16	NTX - 32	
Overall Length (L)	(mm)	197	197	222	222	275	275	362	431	442
	(Inch)	7.76	7.76	8.74	8.74	10.83	10.83	14.25	16.97	17.40
(H1)	(mm)	126.9	129.5	172.3	172.3	207	207	240	304	316
	(Inch)	5.00	5.05	6.74	6.74	8.11	8.11	9.4	11.9	12.4
(H2)	(mm)	103.3	106	126	126	156	156	205	273	286
	(Inch)	4.07	4.17	4.96	4.96	6.14	6.14	8.07	10.75	11.26
Width at Link (W1)	(mm)	33	33	42.6	42.6	53.2	53.2	65	86	86
	(Inch)	1.30	1.30	1.68	1.68	2.09	2.09	2.56	3.39	3.39
Width at Cylinder (W2)	(mm)	52	52	64.5	64.5	79	79	98	132	132
	(Inch)	2.05	2.05	2.54	2.54	3.11	3.11	3.86	5.20	5.20
Nose Radius (R)	(mm)	27 - 43	43 - 46	36 - 53	56 - 61	46 - 71	75 - 78	60 - 87	85 - 155	160 - 175
R min.	(mm)	9.5	10.1	10.7	11.7	14.7	15.9	18.1	25.6	24.8
R max.	(mm)	12.2	10.5	13.8	14.6	15.2	18.7	20.7	31.3	27.3



# LINK SELECTION



## Features

- ▶ Compact design with longer arm improves the reliability.
- ▶ More accurate and easier to use, since the wrench directly operates on the nuts.
- ▶ 360x180 degree swivel or 360x360 degree swivel allows the wrench to operate freely in confined areas.

NTX - 2 Link	Hex Size	
	Imperial	Metric
NTX-2-19	3/4"	19mm
NTX-2-20	13/16"	-
NTX-2-21	-	21mm
NTX-2-22	7/8"	22mm
NTX-2-23	15/16"	-
NTX-2-24	-	24mm
NTX-2-25	1"	-
NTX-2-27	1-1/16"	27mm
NTX-2-28	1-1/8"	-
NTX-2-30	1-3/16"	30mm
NTX-2-31	1-1/4"	-
NTX-2-32	-	32mm
NTX-2-33	1-5/16"	-
NTX-2-34	-	34mm
NTX-2-35	1-3/8"	35mm
NTX-2-36	-	36mm
NTX-2-37	1-7/16"	-
NTX-2-38	1-1/2"	38mm
NTX-2-39	1-9/16"	-
NTX-2-41	1-5/8"	41mm
NTX-2-42	1-11/16"	-
NTX-2-44	1-3/4"	-
NTX-2-46	1-13/16"	46mm
NTX-2-47	1-7/8"	-
NTX-2-49	1-15/16"	49mm
NTX-2-50	-	50mm
NTX-2-51	2"	-
NTX-2-52	2-1/16"	-
NTX-2-54	2-1/8"	-
NTX-2-55	2-3/16"	55mm
NTX-2-57	2-1/4"	-
NTX-2-59	2-5/16"	-
NTX-2-60	2-3/8"	60mm

NTX - 4 Link	Hex Size	
	Imperial	Metric
NTX-4-33	1-5/16"	-
NTX-4-34	-	34mm
NTX-4-35	1-3/8"	-
NTX-4-36	-	36mm
NTX-4-37	1-7/16"	-
NTX-4-38	1-1/2"	38mm
NTX-4-39	1-9/16"	-
NTX-4-41	1-5/8"	41mm
NTX-4-42	1-11/16"	-
NTX-4-44	1-3/4"	-
NTX-4-46	1-13/16"	46mm
NTX-4-47	1-7/8"	-
NTX-4-49	1-15/16"	49mm
NTX-4-50	-	50mm
NTX-4-51	2"	-
NTX-4-52	2-1/16"	-
NTX-4-53	2-1/8"	-
NTX-4-55	2-3/16"	55mm
NTX-4-57	2-1/4"	-
NTX-4-58	2-5/16"	-
NTX-4-60	2-3/8"	60mm
NTX-4-61	2-7/16"	-
NTX-4-63	2-1/2"	-
NTX-4-65	2-9/16"	65mm
NTX-4-66	2-5/8"	-
NTX-4-68	2-11/16"	-
NTX-4-70	2-3/4"	70mm
NTX-4-71	2-13/16"	-
NTX-4-73	2-7/8"	-
NTX-4-75	2-15/16"	75mm
NTX-4-76	3"	-
NTX-4-77	3-1/16"	-
NTX-4-79	3-1/8"	-
NTX-4-80	-	80mm

NTX - 8 Link	Hex Size	
	Imperial	Metric
NTX-8-41	1-5/8"	41mm
NTX-8-42	1-11/16"	-
NTX-8-44	1-3/4"	-
NTX-8-46	1-13/16"	46mm
NTX-8-47	1-7/8"	-
NTX-8-49	1-15/16"	49mm
NTX-8-50	-	50mm
NTX-8-51	2"	-
NTX-8-52	2-1/16"	-
NTX-8-54	2-1/8"	-
NTX-8-55	2-3/16"	55mm
NTX-8-57	2-1/4"	-
NTX-8-58	2-5/16"	-
NTX-8-60	2-3/8"	60mm
NTX-8-61	2-7/16"	-
NTX-8-63	2-1/2"	-
NTX-8-65	2-9/16"	65mm
NTX-8-66	2-5/8"	-
NTX-8-68	2-11/16"	-
NTX-8-70	2-3/4"	70mm
NTX-8-71	2-13/16"	-
NTX-8-73	2-7/8"	-
NTX-8-75	2-15/16"	75mm
NTX-8-76	3"	-
NTX-8-77	3-1/16"	-
NTX-8-79	3-1/8"	-
NTX-8-80	-	80mm
NTX-8-81	3-3/16"	-
NTX-8-82	3-1/4"	-
NTX-8-84	3-5/16"	-
NTX-8-85	-	85mm
NTX-8-86	3-3/8"	-
NTX-8-87	3-7/16"	-
NTX-8-88	3-1/2"	-
NTX-8-90	-	90mm
NTX-8-91	3-9/16"	-
NTX-8-92	3-5/8"	-
NTX-8-93	3-11/16"	-
NTX-8-95	3-3/4"	95mm
NTX-8-96	3-13/16"	-
NTX-8-98	3-7/8"	-
NTX-8-100	3-15/16"	100mm
NTX-8-101	4"	-
NTX-8-103	4-1/16"	-
NTX-8-105	4-1/8"	105mm

NTX - 16 Link	Hex Size	
	Imperial	Metric
NTX-16-50	-	50mm
NTX-16-51	2"	-
NTX-16-52	2-1/16"	-
NTX-16-53	2-1/8"	-
NTX-16-55	2-3/16"	55mm
NTX-16-57	2-1/4"	-
NTX-16-58	2-5/16"	-
NTX-16-60	2-3/8"	60mm
NTX-16-62	2-7/16"	-
NTX-16-63	2-1/2"	-
NTX-16-65	2-9/16"	65mm
NTX-16-66	2-5/8"	-
NTX-16-68	2-11/16"	-
NTX-16-70	2-3/4"	70mm
NTX-16-71	2-13/16"	-
NTX-16-73	2-7/8"	-
NTX-16-75	2-15/16"	75mm
NTX-16-76	3"	-
NTX-16-77	3-1/16"	-
NTX-16-79	3-1/8"	-
NTX-16-80	-	80mm
NTX-16-81	3-3/16"	-
NTX-16-82	3-1/4"	-
NTX-16-84	3-5/16"	-
NTX-16-85	-	85mm
NTX-16-87	3-7/16"	-
NTX-16-89	3-1/2"	-
NTX-16-90	-	90mm
NTX-16-91	3-9/16"	-
NTX-16-92	3-5/8"	-
NTX-16-93	3-11/16"	-
NTX-16-95	3-3/4"	95mm
NTX-16-96	3-13/16"	-
NTX-16-98	3-7/8"	-
NTX-16-100	3-15/16"	100mm
NTX-16-101	4"	-
NTX-16-104	4-1/6"	-
NTX-16-105	4-1/8"	105mm
NTX-16-106	4-3/16"	-
NTX-16-107	4-1/4"	-
NTX-16-109	4-5/16"	-
NTX-16-110	-	110mm
NTX-16-111	4-3/8"	-
NTX-16-112	4-7/16"	-
NTX-16-114	4-1/2"	-
NTX-16-115	-	115mm
NTX-16-117	-	117mm

NTX - 32 Link	Hex Size	
	Imperial	Metric
NTX-32-108	4-1/4"	-
NTX-32-109	4-5/16"	-
NTX-32-110	-	110mm
NTX-32-111	4-3/8"	-
NTX-32-112	4-7/16"	-
NTX-32-114	4-1/2"	-
NTX-32-115	-	115mm
NTX-32-116	4-9/16"	-
NTX-32-117	4-5/8"	117mm
NTX-32-119	4-11/16"	-
NTX-32-120	-	120mm
NTX-32-121	4-3/4"	-
NTX-32-122	4-13/16"	-
NTX-32-123	4-7/8"	-
NTX-32-125	-	125mm
NTX-32-126	4-15/16"	-
NTX-32-127	5"	127mm
NTX-32-128	5-1/16"	-
NTX-32-130	5-1/8"	-
NTX-32-131	5-3/16"	-
NTX-32-133	5-1/4"	-
NTX-32-134	5-5/16"	135mm
NTX-32-136	5-3/8"	-
NTX-32-138	5-7/16"	-
NTX-32-140	5-1/2"	140mm
NTX-32-141	5-9/16"	-
NTX-32-142	5-5/8"	-
NTX-32-144	5-11/16"	-
NTX-32-145	-	145mm
NTX-32-146	5-3/4"	-
NTX-32-147	5-13/16"	-
NTX-32-149	5-7/8"	-
NTX-32-150	-	150mm
NTX-32-151	5-15/16"	-
NTX-32-152	6"	-
NTX-32-153	6-1/16"	-
NTX-32-155	-	155mm
NTX-32-156	6-1/8"	-
NTX-32-157	6-3/16"	-
NTX-32-158	6-1/4"	-
NTX-32-160	-	160mm
NTX-32-161	6-5/16"	-
NTX-32-162	6-3/8"	-
NTX-32-163	6-7/16"	-
NTX-32-165	6-1/2"	165mm
NTX-32-166	6-9/16"	-
NTX-32-168	6-5/8"	-
NTX-32-170	6-11/16"	170mm
NTX-32-171	6-3/4"	-
NTX-32-173	6-13/16"	-
NTX-32-174	6-7/8"	-
NTX-32-175	-	175mm

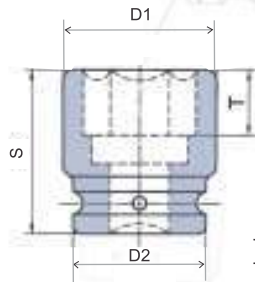




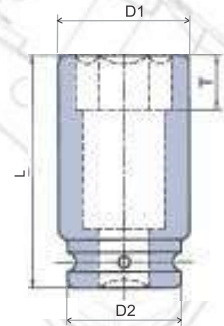
# Accessories for Hydraulic Torque Wrench

## HEAVY DUTY IMPACT SOCKETS:

The range of Imperial Impact Sockets with square drives is from 3/4" to 2.1/2" and the across flat sizes go up to 6.7/8 ". The Metric Impact Sockets offer 56 models with square drives ranging from 3/4" to 2.1/2" and across flat sizes up to 145mm.



**6 POINTS  
IMPACT SOCKETS**



Model No.	Square Drive	Nut A/F		D1	D2	S	T	L
		inch	mm					
NTI 24	3/4"	-	24	40	44	46	21	90
NTI 27	3/4"	-	27	41	44	48	23	90
NTI 27A	3/4"	1.1/16	-	41	44	48	23	90
NTI 30	3/4"	-	30	44	44	52	24	90
NTI 31A	3/4"	1.1/4	-	49	44	52	24	90
NTI 32	3/4"	-	32	49	44	52	26	90
NTI 36	3/4"	-	36	52	44	55	28	90
NTI 36A	3/4"	1.7/16	-	52	44	56	28	90
NTI 41	3/4"	-	41	57	44	59	36	90
NTI 41A	3/4"	1.5/8	-	57	44	59	36	90
NTI 46	3/4"	-	46	67	44	64	37	90
NTI 46A	3/4"	1.13/16	-	67	44	64	36	90
NTI 50	3/4"	-	50	70	54	67	39	90
NTI 51A	3/4"	2	-	73	54	67	39	90
NTI 55	3/4"	-	55	78	54	71	41	94
NTI 55A	3/4"	2.3/16	-	78	54	71	41	94
NTI 60	3/4"	-	60	82	52	75	45	98
NTI 60A	3/4"	2.3/8	-	82	54	75	45	98
NTI 24	1"	-	24	42	54	55	21	100
NTI 27	1"	-	27	46	54	55	23	100
NTI 27A	1"	1.1/16	-	46	54	55	23	100
NTI 30	1"	-	30	50	54	57	24	100
NTI 31A	1"	1.1/4	-	51	54	57	24	100
NTI 32	1"	-	32	51	54	57	26	100
NTI 36	1"	-	36	54	54	60	28	100
NTI 36A	1"	1.7/16	-	54	54	60	28	100
NTI 41	1"	-	41	63	54	64	36	100
NTI 41A	1"	1.5/8	-	63	54	64	36	100
NTI 46	1"	-	46	70	54	69	36	100
NTI 46A	1"	1.13/16	-	70	54	69	36	100
NTI 50	1"	-	50	73	54	72	36	100
NTI 51A	1"	2	-	73	54	72	39	100
NTI 55	1"	-	55	82	54	76	41	105
NTI 55A	1"	2.3/16	-	82	54	80	41	105
NTI 60	1"	-	60	86	54	82	45	112
NTI 60A	1"	2.3/8	-	88	54	85	45	112
NTI 65	1"	-	65	92	54	85	46	118
NTI 65A	1"	2.9/16	-	92	54	85	46	118
NTI 70	1"	-	70	96	54	88	50	124
NTI 70A	1"	2.3/4	-	96	54	88	50	124
NTI 75	1"	-	75	100	86	92	57	124
NTI 75A	1"	2.15/16	-	100	86	92	57	124
NTI 79A	1"	3.1/8"	-	105	86	97	57	132
NTI 80	1"	-	80	105	86	97	62	132
NTI 85	1"	-	85	115	86	100	62	132
NTI 88A	1"	3.1/2"	-	121	86	104	62	140
NTI 90	1"	-	90	127	86	104	62	140
NTI 95	1"	-	95	135	86	106	62	140
NTI 97A	1"	3.7/8"	-	135	86	112	62	143

Model No.	Square Drive	Nut A/F		D1	D2	S	T	L
		inch	mm					
NTI 100	1"	-	100	135	86	112	62	143
NTI 36	1.1/2"	-	36	64	86	80	28	130
NTI 41	1.1/2"	-	41	69	86	83	32	130
NTI 46	1.1/2"	-	46	76	86	86	36	130
NTI 46A	1.1/2"	1.13/16	-	76	86	86	36	130
NTI 50	1.1/2"	-	50	81	86	90	39	130
NTI 51A	1.1/2"	2	-	81	86	90	39	130
NTI 55	1.1/2"	-	55	88	86	95	41	140
NTI 55A	1.1/2"	2.3/16	-	88	86	95	41	140
NTI 60	1.1/2"	-	60	96	86	98	45	140
NTI 60A	1.1/2"	2.3/8	-	96	86	98	45	140
NTI 65	1.1/2"	-	65	102	86	102	46	140
NTI 65A	1.1/2"	2.9/16	-	102	86	102	46	140
NTI 70	1.1/2"	-	70	108	86	102	50	150
NTI 70A	1.1/2"	2.3/4	-	108	86	102	50	150
NTI 75	1.1/2"	-	75	116	86	108	57	150
NTI 75A	1.1/2"	2.15/16	-	116	86	108	57	150
NTI 80	1.1/2"	-	80	120	86	110	62	150
NTI 80A	1.1/2"	3.1/8	-	120	86	110	62	150
NTI 85	1.1/2"	-	85	130	86	115	62	170
NTI 90	1.1/2"	-	90	135	125	118	65	170
NTI 90A	1.1/2"	3.1/2	-	135	125	118	65	170
NTI 95	1.1/2"	-	95	140	125	123	70	170
NTI 100	1.1/2"	-	100	148	125	128	75	190
NTI 100A	1.1/2"	3.7/8	-	148	125	128	75	190
NTI 105	1.1/2"	-	105	155	125	133	80	190
NTI 106A	1.1/2"	4.1/4	-	155	125	133	80	190
NTI 110	1.1/2"	-	110	161	150	138	85	200
NTI 115	1.1/2"	-	115	161	150	143	94	200
NTI 120A	1.1/2"	4.5/8	-	175	150	149	94	200
NTI 80	2.1/2"	-	80	135	125	140	62	190
NTI 80A	2.1/2"	3.1/8	-	135	125	140	62	190
NTI 85	2.1/2"	-	85	140	125	140	62	190
NTI 90	2.1/2"	-	90	145	125	140	65	190
NTI 95	2.1/2"	-	95	155	125	150	70	190
NTI 96A	2.1/2"	3.7/8	-	155	125	150	70	190
NTI 100	2.1/2"	-	100	160	125	150	75	200
NTI 105	2.1/2"	-	105	165	125	160	80	200
NTI 110	2.1/2"	-	110	174	150	160	85	210
NTI 115	2.1/2"	-	115	180	150	170	90	210
NTI 115A	2.1/2"	4.1/2	-	180	150	170	90	210
NTI 125A	2.1/2"	5	-	195	150	175	98	220
NTI 130	2.1/2"	-	130	195	150	175	98	220
NTI 135A	2.1/2"	5.3/8	-	205	150	180	102	220
NTI 145	2.1/2"	-	145	220	150	180	105	230
NTI 145A	2.1/2"	5.3/4	-	220	150	180	105	230
NTI 155A	2.1/2"	6.1/8	-	230	180	190	110	250
NTI 165A	2.1/2"	6.1/2	-	240	180	200	120	-
NTI 175A	2.1/2"	6.7/8	-	255	180	200	120	-



## HEXAGON REDUCER BUSHES



To reduce the female hexagon A/F size of the NTR Series these Nirvi Tools Hexagon Reducer Bushes offer an easy and economical solution. Just select your outside A/F size (i.e. Ratchet Head A/F size) and the required inside A/F size to determine the Model number.

Outside A/F size	Inside A/F size	NTX - 2	NTX - 4	NTX - 8	NTX - 16	NTX - 32
		Height-1.25"	Height-1.625"	Height-2.1"	Height-2.55"	Height-3.34"
		Model Number	Model Number	Model Number	Model Number	Model Number
1 1/4"	1 1/16"	NTR-2-125-106	NTR-4-125-106			
1 7/16"	1 1/16"	NTR-2-143-106	NTR-4-143-106			
1 7/16"	1 1/4"	NTR-2-143-125	NTR-4-143-125			
1 5/8"	1 1/4"	NTR-2-162-125	NTR-4-162-125			
1 5/8"	1 7/16"	NTR-2-162-143	NTR-4-162-143			
1 13/16"	1 7/16"	NTR-2-181-143	NTR-4-181-143			
1 13/16"	1 5/8"	NTR-2-181-162	NTR-4-181-162	NTR-8-181-162		
2"	1 5/8"	NTR-2-200-162	NTR-4-200-162	NTR-8-200-162		
2"	1 13/16"	NTR-2-200-181	NTR-4-200-181	NTR-8-200-181		
2 3/16"	1 5/8"	NTR-2-218-162	NTR-4-218-162	NTR-8-218-162		
2 3/16"	1 13/16"	NTR-2-218-181	NTR-4-218-181	NTR-8-218-181		
2 3/16"	2"	NTR-2-218-200	NTR-4-218-200	NTR-8-218-200		
2 3/8"	1 13/16"	NTR-2-237-181	NTR-4-237-181	NTR-8-237-181		
2 3/8"	2"	NTR-2-237-200	NTR-4-237-200	NTR-8-237-200	NTR-16-237-200	
2 3/8"	2 3/16"	NTR-2-237-218	NTR-4-237-218	NTR-8-237-218	NTR-16-237-218	
2 9/16"	2"		NTR-4-256-200	NTR-8-256-200	NTR-16-256-200	
2 9/16"	2 3/16"		NTR-4-256-218	NTR-8-256-218	NTR-16-256-218	
2 9/16"	2 3/8"		NTR-4-256-237	NTR-8-256-237	NTR-16-256-237	
2 3/4"	2 3/16"		NTR-4-275-218	NTR-8-275-218	NTR-16-275-218	
2 3/4"	2 3/8"		NTR-4-275-237	NTR-8-275-237	NTR-16-275-237	
2 3/4"	2 9/16"		NTR-4-275-256	NTR-8-275-256	NTR-16-275-256	
2 15/16"	2 3/8"		NTR-4-293-237	NTR-8-293-237	NTR-16-293-237	
2 15/16"	2 9/16"		NTR-4-293-256	NTR-8-293-256	NTR-16-293-256	
2 15/16"	2 3/4"		NTR-4-293-275	NTR-8-293-275	NTR-16-293-275	
3 1/8"	2 9/16"		NTR-4-312-256	NTR-8-312-256	NTR-16-312-256	
3 1/8"	2 3/4"		NTR-4-312-275	NTR-8-312-275	NTR-16-312-275	
3 1/8"	2 15/16"		NTR-4-312-293	NTR-8-312-293	NTR-16-312-293	
3 1/2"	2 15/16"			NTR-8-350-293	NTR-16-350-293	
3 1/2"	3 1/8"			NTR-8-350-312	NTR-16-350-312	
3 7/8"	3 1/8"			NTR-8-387-312	NTR-16-387-312	
3 7/8"	3 1/2"			NTR-8-387-350	NTR-16-387-350	
4 1/8"	3 1/2"			NTR-8-412-350	NTR-16-412-350	
4 1/8"	3 7/8"			NTR-8-412-387	NTR-16-412-387	
4 5/8"	3 7/8"					
4 5/8"	4 1/4"					NTR-32-462-425
5"	4 1/4"					NTR-32-500-425
5"	4 5/8"					NTR-32-500-462
5 5/16"	4 5/8"					NTR-32-531-462
5 5/16"	5"					NTR-32-531-500
5 3/4"	5"					NTR-32-575-500
5 3/4"	5 3/8"					NTR-32-575-573
6 1/8"	5 3/8"					NTR-32-612-573
6 1/8"	5 3/4"					NTR-32-612-575
6 1/2"	5 3/4"					NTR-32-650-575
6 1/2"	6 1/8"					NTR-32-650-612
6 7/8"	6 1/8"					NTR-32-687-612
6 7/8"	6 1/2"					NTR-32-687-650
7 3/16"	6 1/2"					NTR-32-718-650
7 3/16"	6 7/8"					NTR-32-718-687
7 7/16"	6 7/8"					NTR-32-744-687
7 7/16"	7 3/16"					NTR-32-744-718
7 5/8"	6 7/8"					NTR-32-762-687
7 5/8"	7 7/16"					NTR-32-762-744
7 7/8"	7 7/16"					NTR-32-787-744
7 7/8"	7 5/8"					NTR-32-787-762





# METRIC HEXAGON REDUCER BUSHES

Outside A/F size	Inside A/F size	NTX - 2	NTX - 4	NTX - 8	NTX - 16	NTX - 32
		Height-32mm	Height-42mm	Height-53mm	Height-64mm	Height-85mm
		Model number	Model number	Model number	Model number	Model number
30	24	NTR-2-30-24				
32	24	NTR-2-32-24				
32	27	NTR-2-32-27				
36	30	NTR-2-36-30				
41	36	NTR-2-41-36	NTR-4-41-36			
46	36	NTR-2-46-36	NTR-4-46-36			
46	41	NTR-2-46-41	NTR-4-46-41	NTR-8-46-41		
50	41	NTR-2-50-41	NTR-4-50-41	NTR-8-50-41		
50	46	NTR-2-50-46	NTR-4-50-46	NTR-8-50-46		
55	41	NTR-2-55-41	NTR-4-55-41	NTR-8-55-41		
55	46	NTR-2-55-46	NTR-4-55-46	NTR-8-55-46		
55	50	NTR-2-55-50	NTR-4-55-50	NTR-8-55-50		
60	46	NTR-2-60-46	NTR-4-60-46	NTR-8-60-46		
60	50		NTR-4-60-50	NTR-8-60-50	NTR-16-60-50	
60	55		NTR-4-60-55	NTR-8-60-55	NTR-16-60-55	
65	50		NTR-4-65-50	NTR-8-65-50	NTR-16-65-50	
65	55		NTR-4-65-55	NTR-8-65-55	NTR-16-65-55	
65	60		NTR-4-65-60	NTR-8-65-60	NTR-16-65-60	
70	55		NTR-4-70-55	NTR-8-70-55	NTR-16-70-55	
70	60		NTR-4-70-60	NTR-8-70-60	NTR-16-70-60	
70	65		NTR-4-70-65	NTR-8-70-65	NTR-16-70-65	
75	60		NTR-4-75-60	NTR-8-75-60	NTR-16-75-60	
75	65		NTR-4-75-65	NTR-8-75-65	NTR-16-75-65	
75	70		NTR-4-75-70	NTR-8-75-70	NTR-16-75-70	
80	65		NTR-4-80-65	NTR-8-80-65	NTR-16-80-65	
80	70		NTR-4-80-70	NTR-8-80-70	NTR-16-80-70	
80	75		NTR-4-80-70	NTR-8-80-75	NTR-16-80-75	
85	70			NTR-8-85-70	NTR-16-85-70	
85	75			NTR-8-85-75	NTR-16-85-75	
85	80			NTR-8-85-80	NTR-16-85-80	
90	75			NTR-8-90-75	NTR-16-90-75	
90	80			NTR-8-90-80	NTR-16-90-80	
90	85			NTR-8-90-85	NTR-16-90-85	
95	80			NTR-8-95-80	NTR-16-95-80	
95	85			NTR-8-95-85	NTR-16-95-85	
95	90			NTR-8-95-90	NTR-16-95-90	
100	85			NTR-8-100-85	NTR-16-100-85	
100	90			NTR-8-100-90	NTR-16-100-90	
100	95			NTR-8-100-95	NTR-16-100-95	
105	90			NTR-8-105-90	NTR-16-105-90	
105	95			NTR-8-105-95	NTR-16-105-95	
105	100			NTR-8-105-100	NTR-16-105-100	
110	95				NTR-16-110-95	NTR-32-110-95
110	100				NTR-16-110-100	NTR-32-110-100
110	105				NTR-16-110-105	NTR-32-110-105
115	100				NTR-16-115-100	NTR-32-115-100
115	105				NTR-16-115-105	NTR-32-115-105
115	110				NTR-16-115-110	NTR-32-115-110
135	110					NTR-32-135-110
135	115					NTR-32-135-110
135	120					NTR-32-135-130
145	110					NTR-32-145-110
145	115					NTR-32-145-115
145	130					NTR-32-145-130
160	130					NTR-32-160-130
160	145					NTR-32-160-145
175	145					NTR-32-175-145
175	160					NTR-32-175-160



## ELECTRIC HYDRAULIC PUMP



- Two Speed High Performance Pump
- External Adjustable Pressure Regulator
- Retreat side internal relief valve protect tools
- Hand Remote
- Oil Deliver 11.5 at 7 bar at High Hw
- Oil Deliver 0.9 at 700 bar at Low Hw
- Oil Reservoir - 9.5 Litre
- Usable Oil - 8.4 Litre
- 230 Single Phase Normal 2800 rpm
- Internal Safety Valve 700 bar







## **NIRVI TOOLS BOLTING & SOLUTIONS**

507, 5th Floor, Bldg. No. 2, Pada No. 04,  
N. G. Hill View Co. Op. Hsg. Soc. Ltd,  
Lokmanya Nagar, Thane (W), Maharashtra - 400606.  
GST NO.: 27EIWPS4340R1Z0  
Email: [siddhesh.warang@nirvitoos.in](mailto:siddhesh.warang@nirvitoos.in)  
Phone No. +91 85913 42262

